

# RSD-D

- Meets NEC 2017, 2020&2023 (690.12) requirements
- Executes rapid shutdown of system when Transmitter signal is absent
- Meets SunSpec requirements
- Dual-input channel

RSD-D meets SunSpec requirements, maintaining normal function by continually receiving a heartbeat signal from the APsmart Transmitter. The RSD-D executes rapid system shutdown when the Transmitter signal is absent. Users can manually execute rapid shutdown using Transmitter breaker switch.\*<sup>(1)(2)</sup>

## > RSD-D TECHNICAL DATA

### MODEL

### RSD-D-15

### RSD-D-20

#### INPUT DATA (DC)

Range of Input Operating Voltage	8-65V Per Channel	
Maximum Cont. Input Current (Imax)	15A Per Channel	20A Per Channel
Maximum Short Circuit Current (Isc)	25A	

#### OUTPUT DATA (DC)

Range of Output Operating Voltage	16-130V	
Maximum Cont. Output Current	15A	20A
Maximum System Voltage	1000V/1500V	
Maximum Series Fuse Rating	30A	

#### MECHANICAL DATA

Operating Ambient Temperature Range	-40 oF to +167 oF (-40 °C to + 75 °C)	
Dimensions (without cable & connectors)	5.5" x 2" x 0.8"(140 mm x 50.6 mm x 20 mm)	
Cable Length	Input 500mm/Output 2400mm	
Cable Cross Section Size	TUV:4mm <sup>2</sup> /UL:12AWG	
Connector	Input: Stäubli MC4 PV-KBT4&KST4 or Customize Output: APsystems specified or Customized	
Enclosure Rating	NEMA Type 6P/IP68	
Protection Temperature	100°C	

#### FEATURES & COMPLIANCE

Communication Compliance	PLC
Safety Compliance	NEC 2017, 2020&2023 (690.12); UL1741; CSA C22.2 No. 330-17; IEC/EN62109-1
EMC Compliance	FCC Part15; ICES-003



© All Rights Reserved

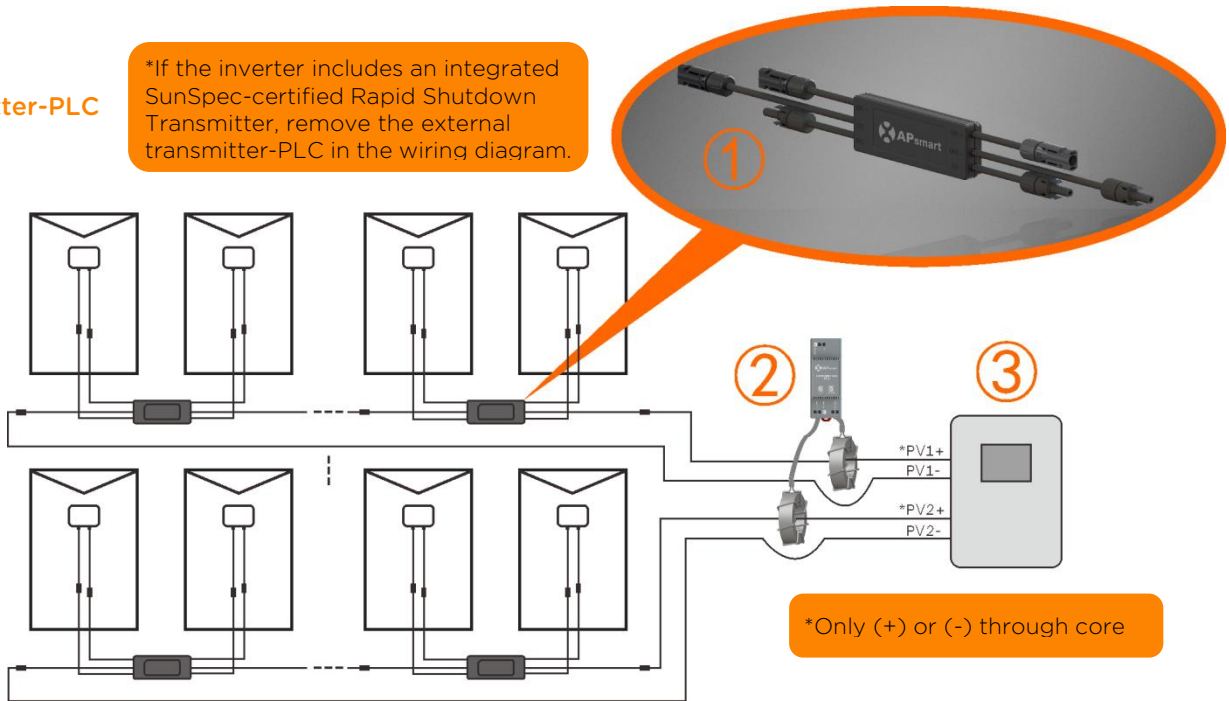
\*<sup>(1)</sup> RSD-D does not have automatic shutdown function for arc detection. When the system is abnormal, the transmitter signal is cut off by pulling the gate, which triggers shutdown.

\*<sup>(2)</sup> RSD-D is designed to reduce the risk of fire suppression but does not solve the risk of a arc fire.

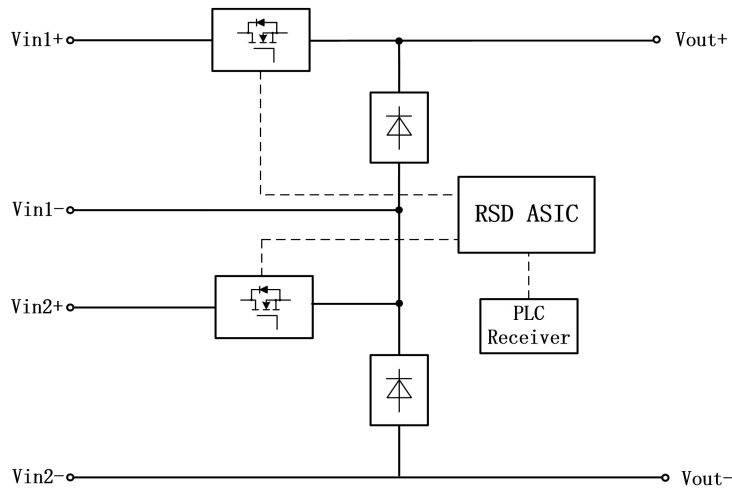
## > RSD-D WIRING DIAGRAM

- ① RSD-D
- ② Transmitter-PLC
- ③ Inverter\*

\*If the inverter includes an integrated SunSpec-certified Rapid Shutdown Transmitter, remove the external transmitter-PLC in the wiring diagram.



## > WORKING SCHEMATIC DIAGRAM



### ORDERING INFORMATION

426101	1500V UL/1000V TUV, 15A, 2.4m cable, Stäubli MC4 PV-KBT4&KST4
446101	1500V UL/1000V TUV, 20A, 2.4m cable, Stäubli MC4 PV-KBT4&KST4
4261xx*	15A, 2.4m cable, Customize connector
4461xx*	20A, 2.4m cable, Customize connector

\*please see the RSD Series Ordering Information