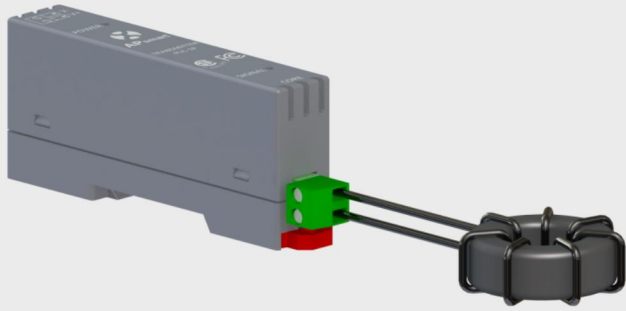


Raising the bar in innovative DC **MLPE** solar power systems

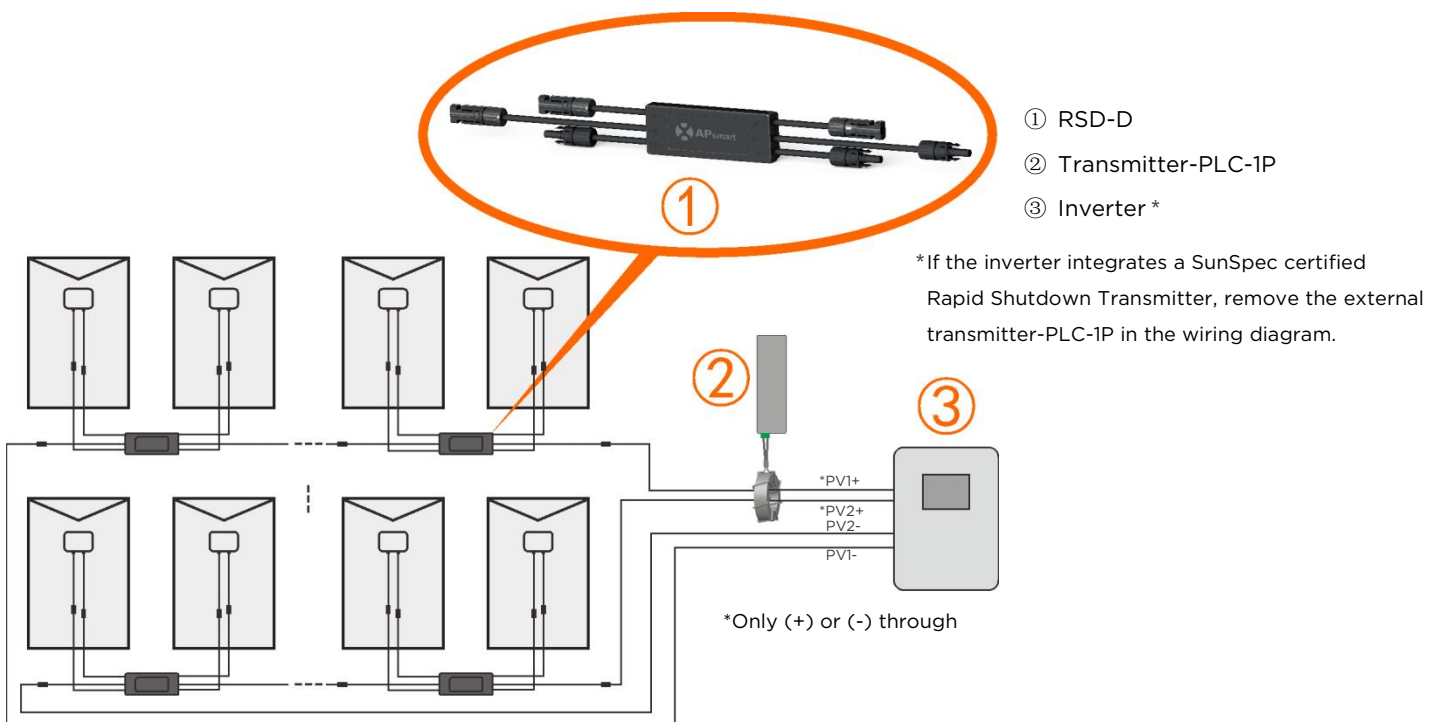


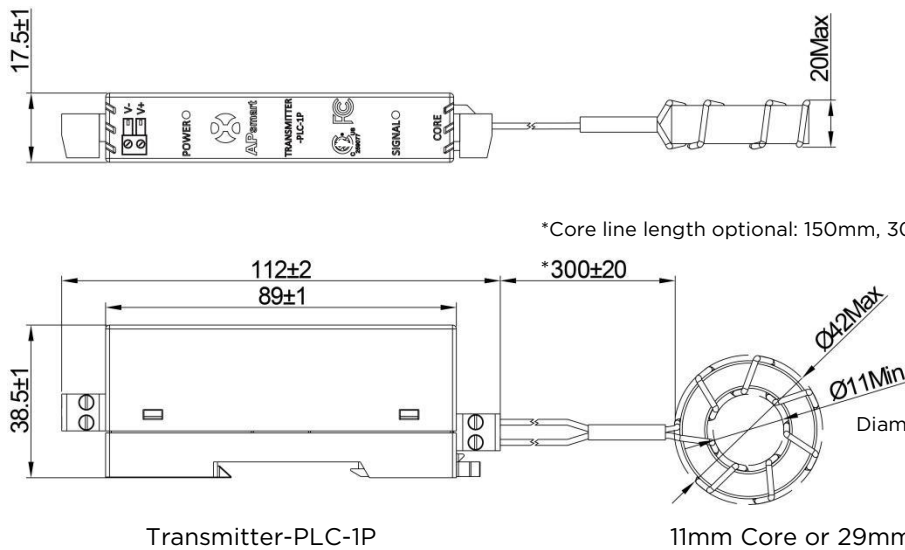
TRANSMITTER-PLC-1P

- Meets NEC 2017, 2020&2023 (690.12) requirements
- Switch off Transmitter-PLC, rapid shutdown the output of PV modules
- Meets SunSpec requirements
- Equipped with single core

The APsmart Rapid Shutdown System Transmitter-PLC-1P is part of a rapid shutdown solution when paired with APsmart RSD-D, a PV module rapid shutdown unit. While powered on, the Transmitter-PLC-1P sends a signal to the RSD-D units to keep their PV modules connected and supplying energy.

RSD-D units automatically enter rapid shutdown mode when the Transmitter-PLC-1P is switched off and resume energy production when power is restored to the Transmitter-PLC-1P. This solution complies with NEC 690.12 specifications for 2017, 2020&2023 and supports the SunSpec signaling for rapid shutdown.





Main electrical data

Input Voltage	12VDC
Input Current	0.5A
Communication	PLC

Core data

	29mm Core	11mm Core
Max. Current	150A Per core	75A Per core
Max. System Voltage	1500VDC	
Internal Opening for Wires/Outside Dimensions	-29mm/65mm	-11mm/42mm
Max. Supported PV Modules per String	30 modules	

Number Of Strings Per Core

DC Cable Diameter(without connector)	Φ 5.9mm	Φ 6.35mm	Φ 7mm	Φ 8.6mm
29mm Core	≤15	≤15	≤14	≤10
11mm Core	≤6	≤5	≤4	≤2

Environmental

Temperature	-40°C ~ +100°C
-------------	----------------

Structure data

Dimensions (W x H x D)	89 mm x 17.5 mm x 38.5 mm
Enclosure Environmental Rating	IP30

Features & Compliance

Safety Compliance	NEC 2017、2020&2023 (690.12); UL1741; CSA C22.2 No. 330-17
EMC Compliance	FCC Part15; ICES-003



ORDERING INFORMATION

416001	TRANSMITTER-PLC-1P, Single Core (11mm), Core line length 300mm
416002	TRANSMITTER-PLC-1P, Single Core (29mm), Core line length 150mm
416003	TRANSMITTER-PLC-1P, Single Core (11mm), Core line length 150mm
416004	TRANSMITTER-PLC-1P, Single Core (29mm), Core line length 610mm
416005	TRANSMITTER-PLC-1P, Single Core (11mm), Core line length 400mm
416006	TRANSMITTER-PLC-1P, Single Core (29mm), Core line length 300mm
416007	TRANSMITTER-PLC-1P, Single Core (11mm), Core line length 610mm

