

Raising the bar in innovative DC MLPE solar power systems



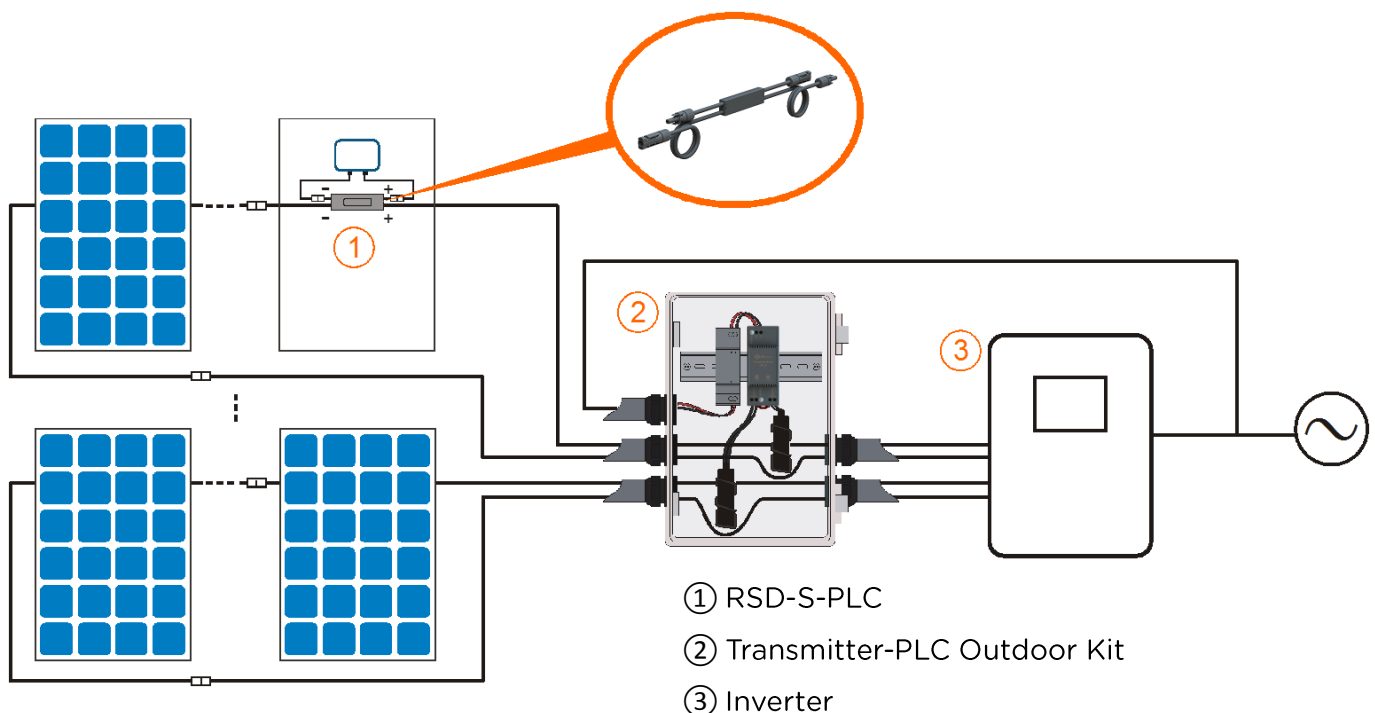
TRANSMITTER-PLC OUTDOOR KIT

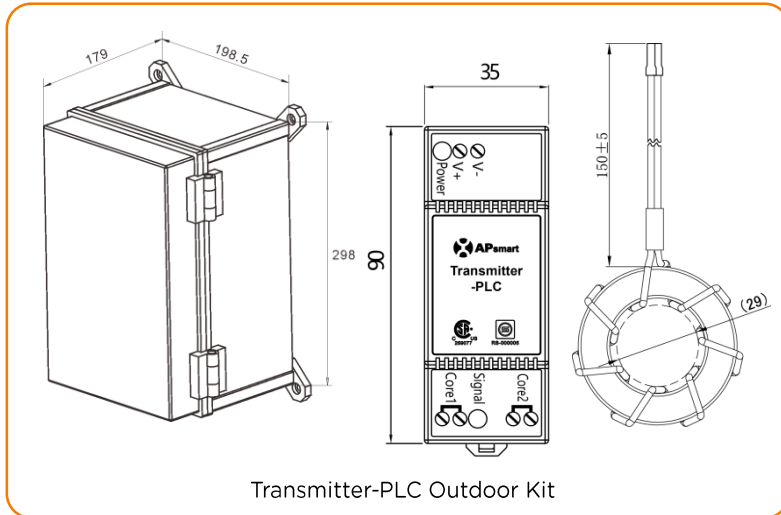
- Meets NEC 2017 (690.12) requirements
- Switch off Transmitter-PLC, rapid shutdown the output of PV modules
- Meets SunSpec requirements
- Equipped with single/dual core
- Optional 85-264VAC power supply
- Optional 180-550VAC power supply

The APsmart Rapid Shutdown System Transmitter-PLC is part of a rapid shutdown solution when paired with APsmart RSD-S-PLC, a PV module rapid shutdown unit. While powered on, the Transmitter-PLC sends a signal to the RSD-S-PLC units to keep their PV modules connected and supplying energy.

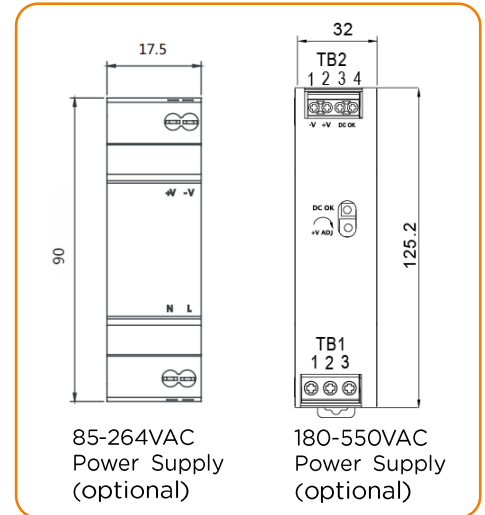
RSD-S-PLC units automatically enter rapid shutdown mode when the Transmitter-PLC is switched off and resume energy production when power is restored to the Transmitter-PLC. This solution complies with NEC 690.12 specifications for 2017 and supports the SunSpec signaling for rapid shutdown.

Transmitter-PLC Outdoor Kit includes a Transmitter-PLC with one or two cores, outdoor enclosure, 85-264VAC or 180-550VAC power supply. It could be used in residential or commercial project.





Transmitter-PLC Outdoor Kit



85-264VAC Power Supply (optional)

180-550VAC Power Supply (optional)

Main electrical data

Input Voltage	12 VDC
Input Current	0.5A
Communication	PLC

Power Supply

Residential (optional)	85-264VAC Input, 12VDC Output, 90 mm x 17.5 mm x 58.4 mm
Commercial (optional)	180-550VAC Input, 12VDC Output, 125.2 mm x 32 mm x 102 mm

Core data

Max. Current	300A (150AX2)
Max. System Voltage	1500VDC
Inner Diameter	29mm
Max. Supported PV Modules per String	30 modules

Max. Number Of Strings

DC Cable Size	2.5mm ²	4mm ²	6mm ²	10mm ²
Number Of Strings Per Core	≤ 10	≤ 10	≤ 10	≤ 7

Environmental

Temperature	-40°C ~ +100°C
-------------	----------------

Structure data

Dimensions (W x H x D)	198.5 mm x 298 mm x 179 mm
Enclosure Environmental Rating	IP65

Features & Compliance

Safety Compliance	NEC 2017 (690.12); UL1741; CSA C22.2 No. 330-17
EMC Compliance	FCC Part15; ICES-003

ORDERING INFORMATION

408004	Single Core Transmitter-PLC-Outdoor Kit, 180-550VAC Power Supply
408005	Dual Core Transmitter-PLC-Outdoor Kit, 180-550VAC Power Supply
408006	Single Core Transmitter-PLC-Outdoor Kit, 85-264VAC Power Supply
408007	Dual Core Transmitter-PLC-Outdoor Kit, 85-264VAC Power Supply

