

# RSD-D

- Meets NEC 2017 & 2020 (690.12) requirements
- Executes rapid shutdown of system when Transmitter-PLC signal is absent
- Meets SunSpec requirements
- Dual-input channel

RSD-D meets SunSpec requirements, maintaining normal function by continually receiving a heartbeat signal from the APsmart Transmitter. The RSD-D executes rapid system shutdown when the Transmitter signal is absent. Users can manually execute rapid shutdown using Transmitter breaker switch.

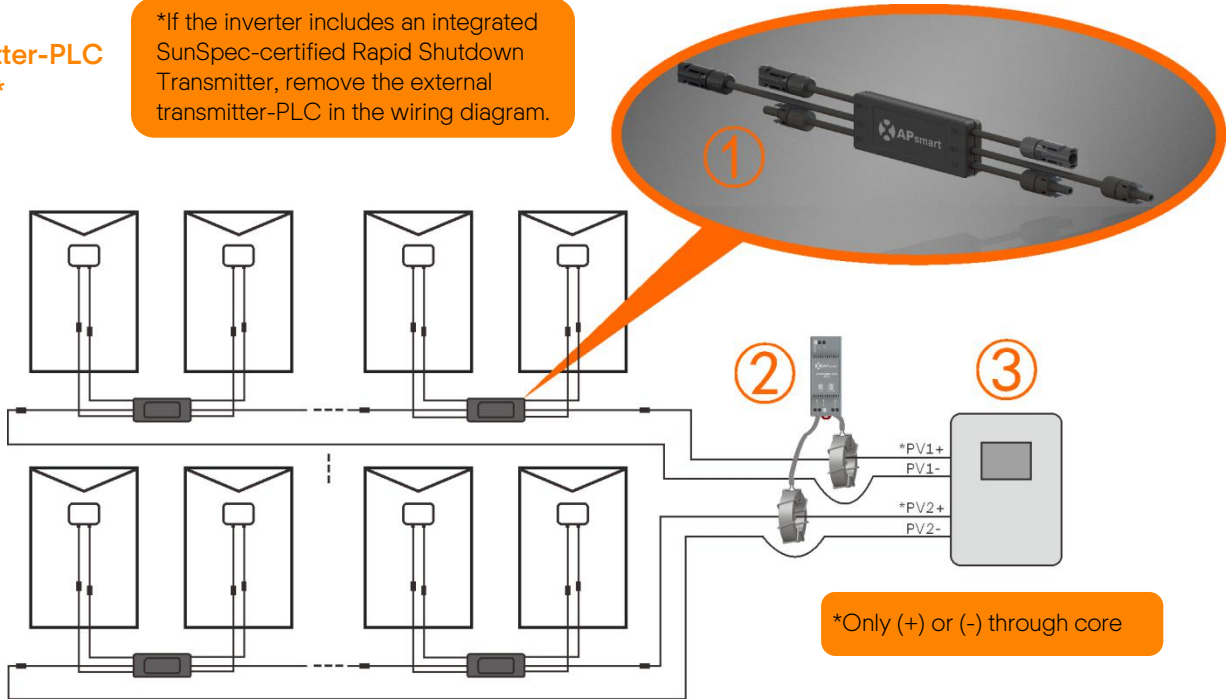
## > RSD-D TECHNICAL DATA

| MODEL                                   | RSD-D-15  | RSD-D-20        |
|---|---|-----------------|
| <b>INPUT DATA (DC)</b>                  |   |                 |
| Range of Input Operating Voltage        | 8-65V Per Channel   |                 |
| Max. Input Voltage                      | 80V   |                 |
| Maximum Cont. Input Current (Imax)      | 15A Per Channel   | 20A Per Channel |
| Maximum Short Circuit Current (Isc)     | 25A   |                 |
| <b>OUTPUT DATA (DC)</b>                 |   |                 |
| Range of Output Operating Voltage       | 16-130V   |                 |
| Max. Output Voltage                     | 160V  |                 |
| Maximum Cont. Output Current            | 15A   | 20A             |
| Maximum System Voltage                  | 1000V/1500V   |                 |
| Maximum Series Fuse Rating              | 30A   |                 |
| <b>MECHANICAL DATA</b>                  |   |                 |
| Operating Ambient Temperature Range     | -40 °F to +167 °F (-40 °C to + 75 °C)                                 |                 |
| Dimensions (without cable & connectors) | 5.5" x 2" x 0.8"(140 mm x 50.6 mm x 20 mm)                            |                 |
| Cable Length                            | Input 500mm/Output 2200mm   |                 |
| Cable Cross Section Size                | TUV:4mm <sup>2</sup> /UL:12AWG  |                 |
| Connector                               | Stäubli MC4 PV-KBT4&KST4 or Customize                                 |                 |
| Enclosure Rating                        | NEMA Type 6P/IP68   |                 |
| Over temperature protection             | Yes   |                 |
| <b>FEATURES &amp; COMPLIANCE</b>        |   |                 |
| Communication Compliance                | PLC   |                 |
| Safety Compliance                       | NEC 2017 & 2020 (690.12); UL1741; CSA C22.2 No. 330-17; IEC/EN62109-1 |                 |
| EMC Compliance                          | FCC Part15; ICES-003  |                 |

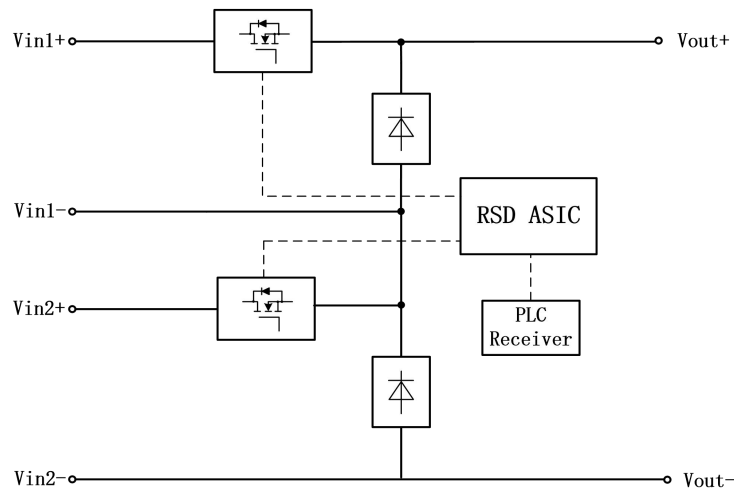
## > RSD-D WIRING DIAGRAM

- ① RSD-D
- ② Transmitter-PLC
- ③ Inverter\*

\*If the inverter includes an integrated SunSpec-certified Rapid Shutdown Transmitter, remove the external transmitter-PLC in the wiring diagram.



## > WORKING SCHEMATIC DIAGRAM



## ORDERING INFORMATION

|         |   |
|---------|---|
| 426101  | 1500V UL/1000V TUV, 15A, 2.2m cable, Stäubli MC4 PV-KBT4&KST4 |
| 446101  | 1500V UL/1000V TUV, 20A, 2.2m cable, Stäubli MC4 PV-KBT4&KST4 |
| 4261xx* | 15A, 2.2m cable, Customize connector                          |
| 4461xx* | 20A, 2.2m cable, Customize connector                          |

\*please see the RSD Series Ordering Information