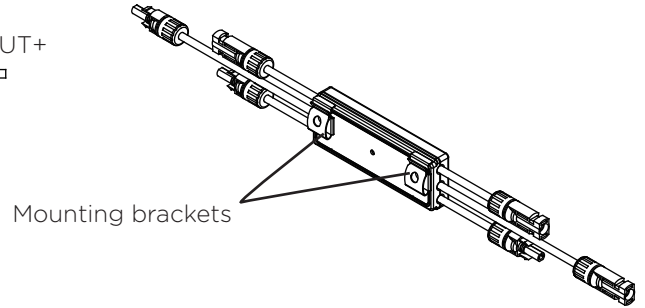
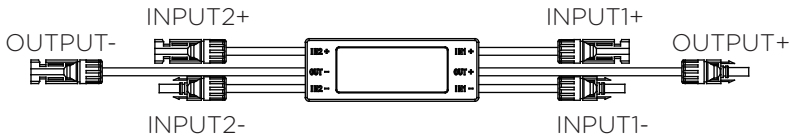
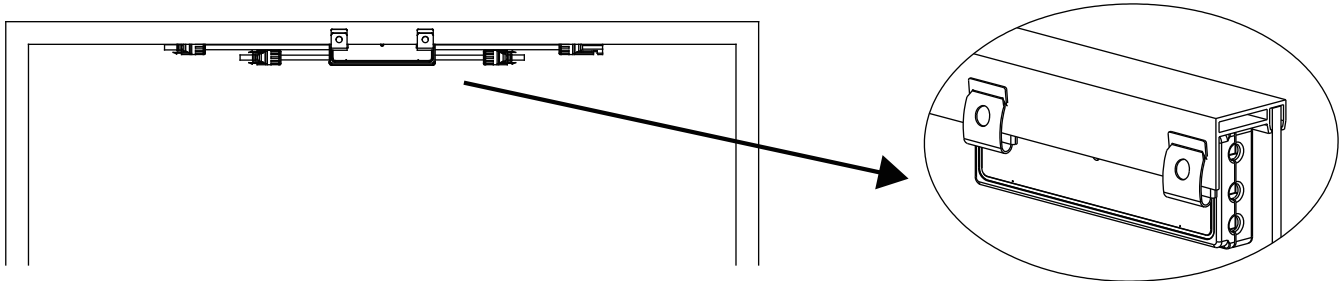


RSD-D Quick Installation Guide

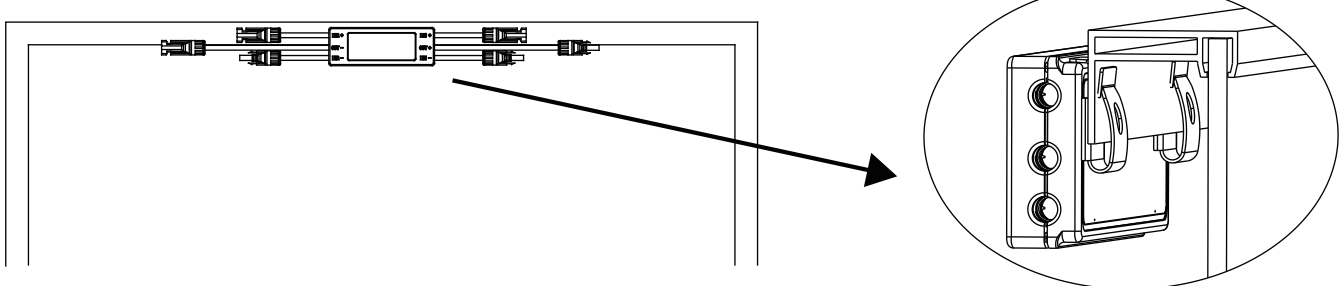


Step 1. Buckle RSD-D onto the PV module frame.

A. Back buckle



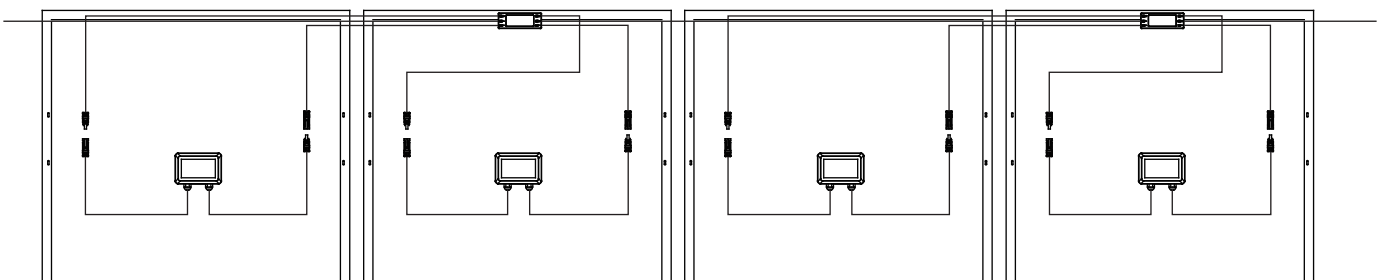
B. Front buckle



NOTE: Do not place the RSD-D (including DC connectors) where exposed to the sun, rain or snow, even gap between modules. Allow a minimum of 3/4"(1.5cm.) between the roof and the bottom of the RSD-D to allow proper air flow.

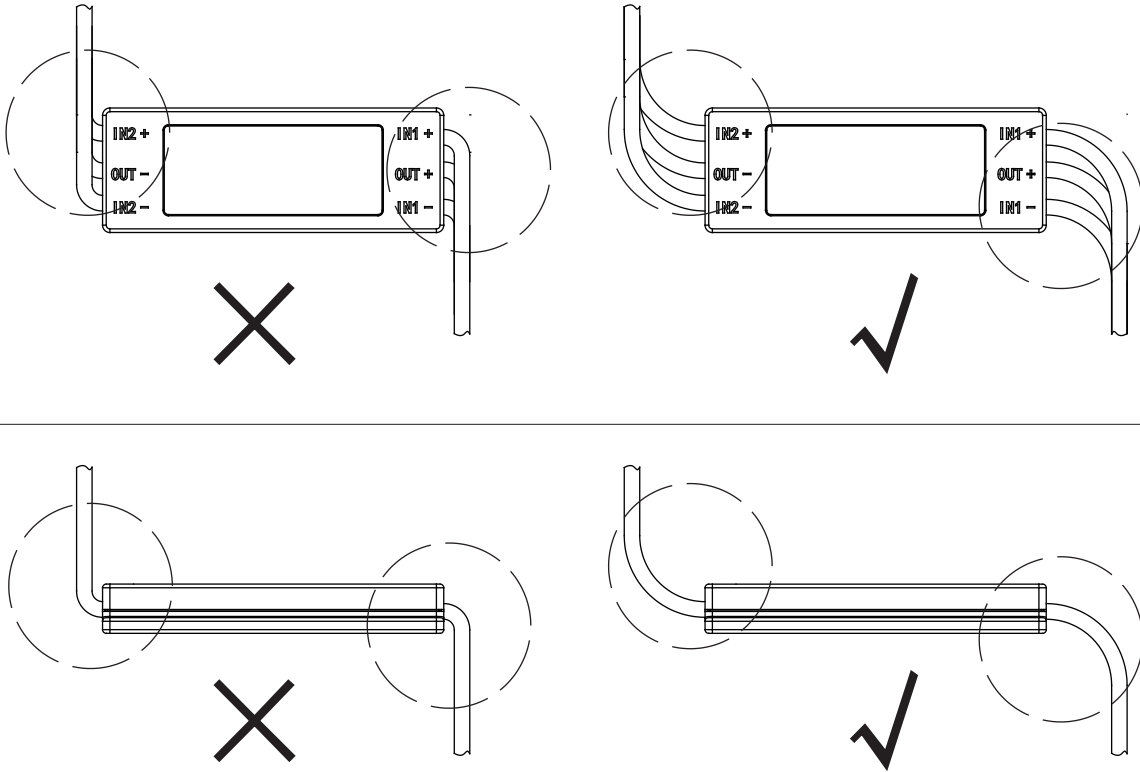
Step 2. Connect the INPUT1 connectors of the RSD-D to the first PV module junction box and connect the INPUT2 connectors to second PV module, the device DC output voltage is within the range of 1.2 ~ 2v.

NOTE: Do not short-circuit the RSD-D output connectors, otherwise it will be damaged.



NOTE: When installing RSD-D cable, the bending radius of the cable near the casing must be greater than 50 mm.

Bending Radius of the cable >50mm



Step 3. Connect the output connectors of RSD-D in series to the string, the string open-air DC voltage is within the range of $(1.2 \sim 2v) \times \text{\#RSD-Ds}$. (This range may vary due to different on-site environment.)

NOTE: Do not connect homerun to inverter before finishing all strings connections and tests.

WARNING: When connecting the RSD-D to only one PV module, use INPUT1 port ONLY, then short both terminals of INPUT2 directly, otherwise the RSD-D may be damaged. The DC output voltage remain same.

NOTE: Please use the same type of DC connector as the RSD in the system. The RSD damage caused by using different type of DC connector will not be covered by the warranty.