



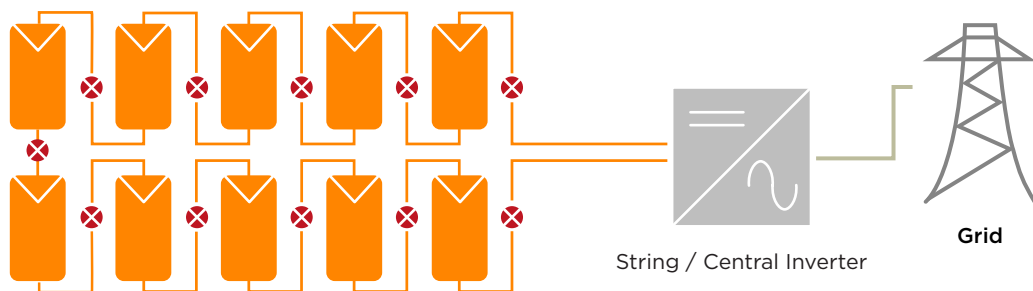
Rapid Shutdown Devices Application

Rapid Shutdown Solution

RSD-S-PLC/RSD-D (receiver) connects to PV module to realize module-level rapid shutdown, receiving the “heart-beats” signals sent from Transmitter-PLC (Transmitter).

Rapid shutdown the output of PV modules,
Module DC Voltage < 80V within 30s in 1 foot.
(NEC2017/2021)

Rapid shutdown the output of strings,
Array DC Voltage < 30V within 30s.
(NEC2014)

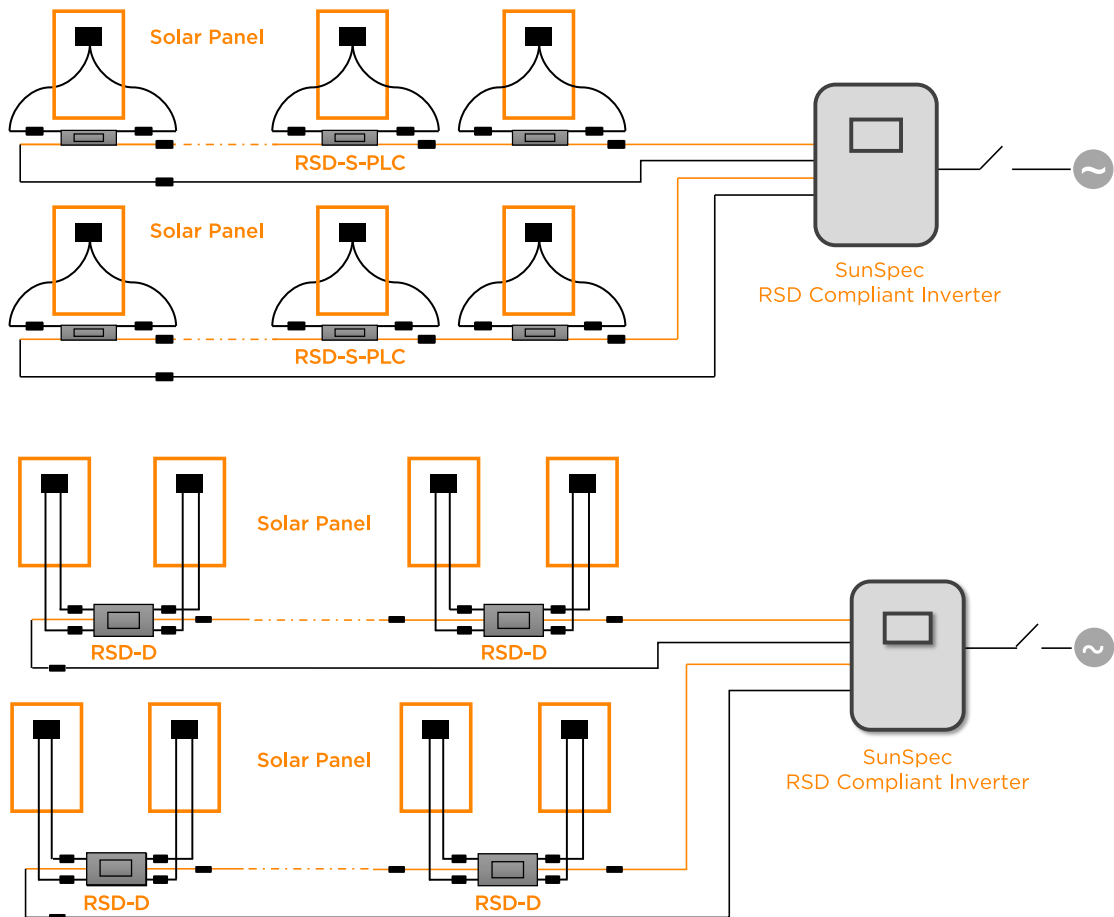


Rapid Shutdown Devices Application

APsmart Rapid Shutdown Devices are compatible with most brand's string inverters to realize module-level rapid shutdown function.

Application #1:

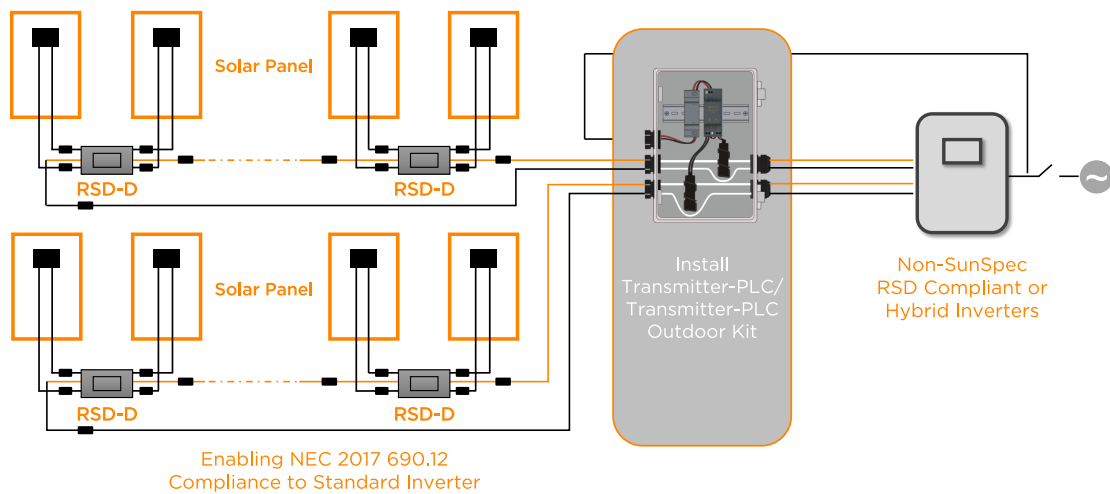
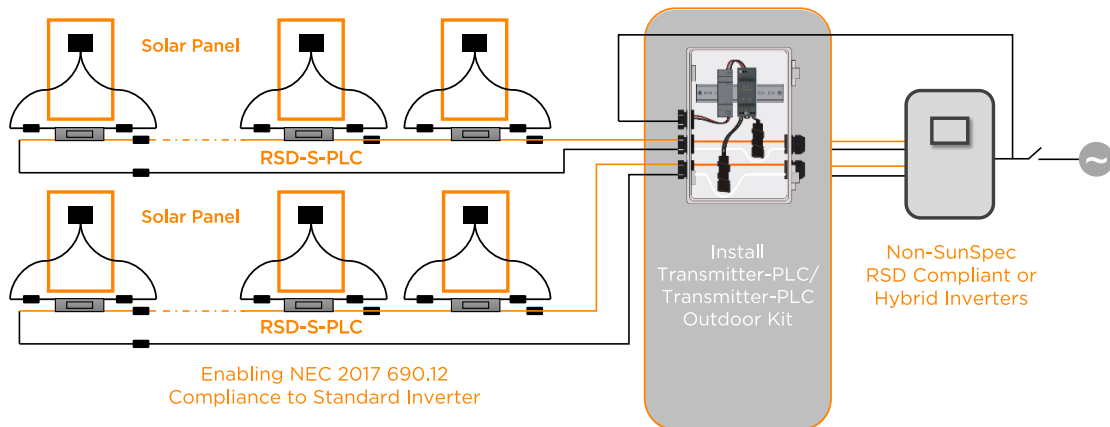
For SunSpec RSD Compliant Inverters with RSD Devices



In SunSpec RSD Compliant Inverters system, only RSD Devices (RSD-S-PLC& RSD-D) are needed for the modules to realize module-level rapid shutdown function.

Application #2:

Non SunSpec RSD Compliant & Hybrid Inverters with RSD Devices



In Non SunSpec RSD Compliant & Hybrid Inverters system, a Transmitter device (Transmitter-PLC / Transmitter-PLC Outdoor Kit) needs to be installed together with RSD Devices (RSD-S-PLC & RSD-D) to realize module-level rapid shutdown function.