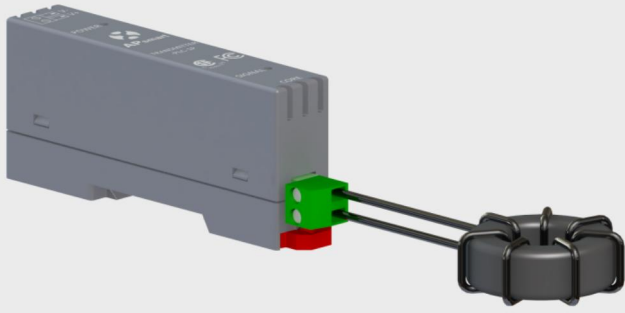


Raising the bar in innovative DC **MLPE** solar power systems

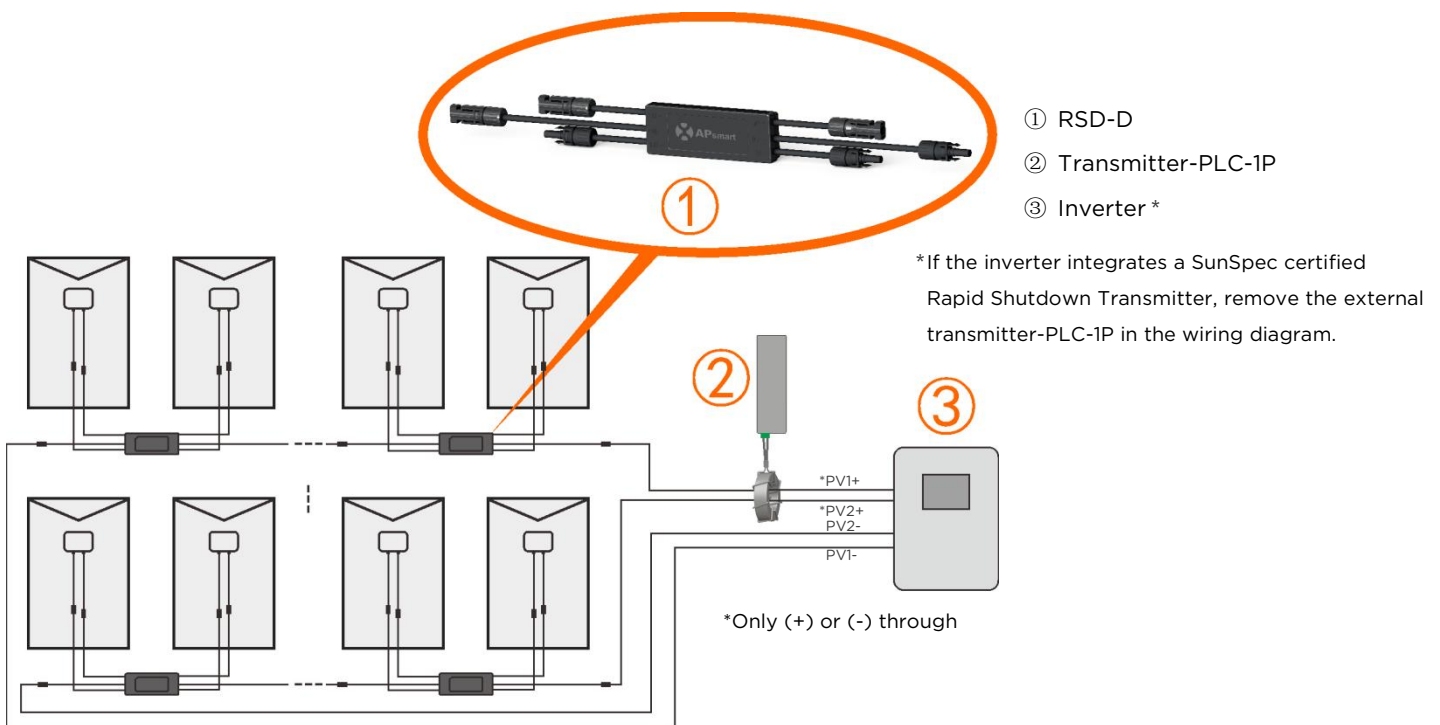


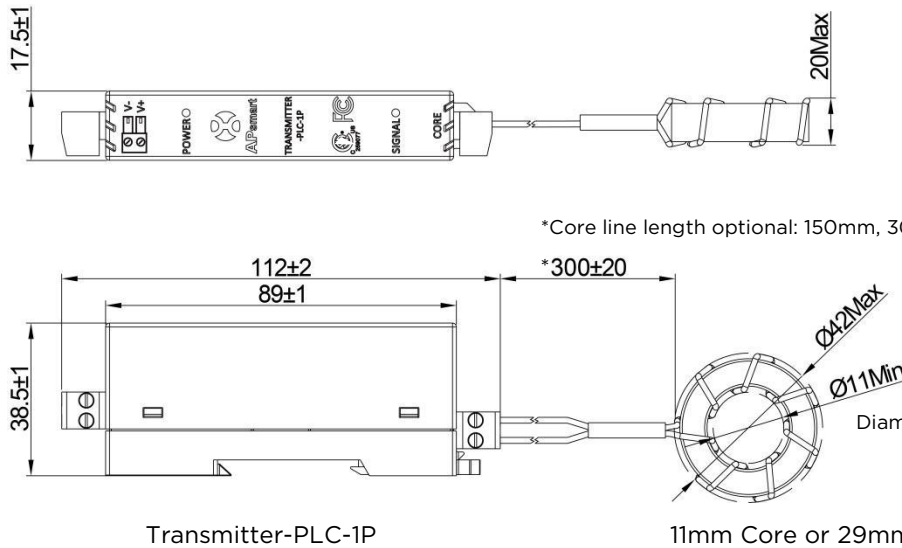
## TRANSMITTER-PLC-1P

- Meets NEC 2017&2020 (690.12) requirements
- Switch off Transmitter-PLC, rapid shutdown the output of PV modules
- Meets SunSpec requirements
- Equipped with single core

The APsmart Rapid Shutdown System Transmitter-PLC-1P is part of a rapid shutdown solution when paired with APsmart RSD-D, a PV module rapid shutdown unit. While powered on, the Transmitter-PLC-1P sends a signal to the RSD-D units to keep their PV modules connected and supplying energy.

RSD-D units automatically enter rapid shutdown mode when the Transmitter-PLC-1P is switched off and resume energy production when power is restored to the Transmitter-PLC-1P. This solution complies with NEC 690.12 specifications for 2017&2020 and supports the SunSpec signaling for rapid shutdown.





### Main electrical data

Input Voltage	12VDC
Input Current	0.5A
Communication	PLC

### Core data

	29mm Core	11mm Core
Max. Current	150A Per core	75A Per core
Max. System Voltage	1500VDC	
Internal Opening for Wires/Outside Dimensions	-29mm/65mm	-11mm/42mm
Max. Supported PV Modules per String	30 modules	

### Number Of Strings Per Core

DC Cable Diameter(without connector)	Φ 5.9mm	Φ 6.35mm	Φ 7mm	Φ 8.6mm
29mm Core	≤15	≤15	≤14	≤10
11mm Core	≤6	≤5	≤4	≤2

### Environmental

Temperature	-40°C ~ +100°C
-------------	----------------

### Structure data

Dimensions (W x H x D)	89 mm x 17.5 mm x 38.5 mm
Enclosure Environmental Rating	IP30

### Features & Compliance

Safety Compliance	NEC 2017&2020 (690.12); UL1741; CSA C22.2 No. 330-17
EMC Compliance	FCC Part15; ICES-003



### ORDERING INFORMATION

416001	TRANSMITTER-PLC-1P, Single Core (11mm), Core line length 300mm
416002	TRANSMITTER-PLC-1P, Single Core (29mm), Core line length 150mm
416003	TRANSMITTER-PLC-1P, Single Core (11mm), Core line length 150mm
416004	TRANSMITTER-PLC-1P, Single Core (29mm), Core line length 610mm
416005	TRANSMITTER-PLC-1P, Single Core (11mm), Core line length 400mm
416006	TRANSMITTER-PLC-1P, Single Core (29mm), Core line length 300mm
416007	TRANSMITTER-PLC-1P, Single Core (11mm), Core line length 610mm

