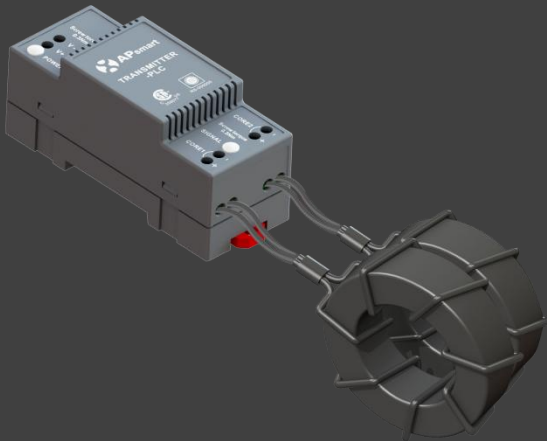


Raising the bar in innovative  
DC MLPE solar power systems



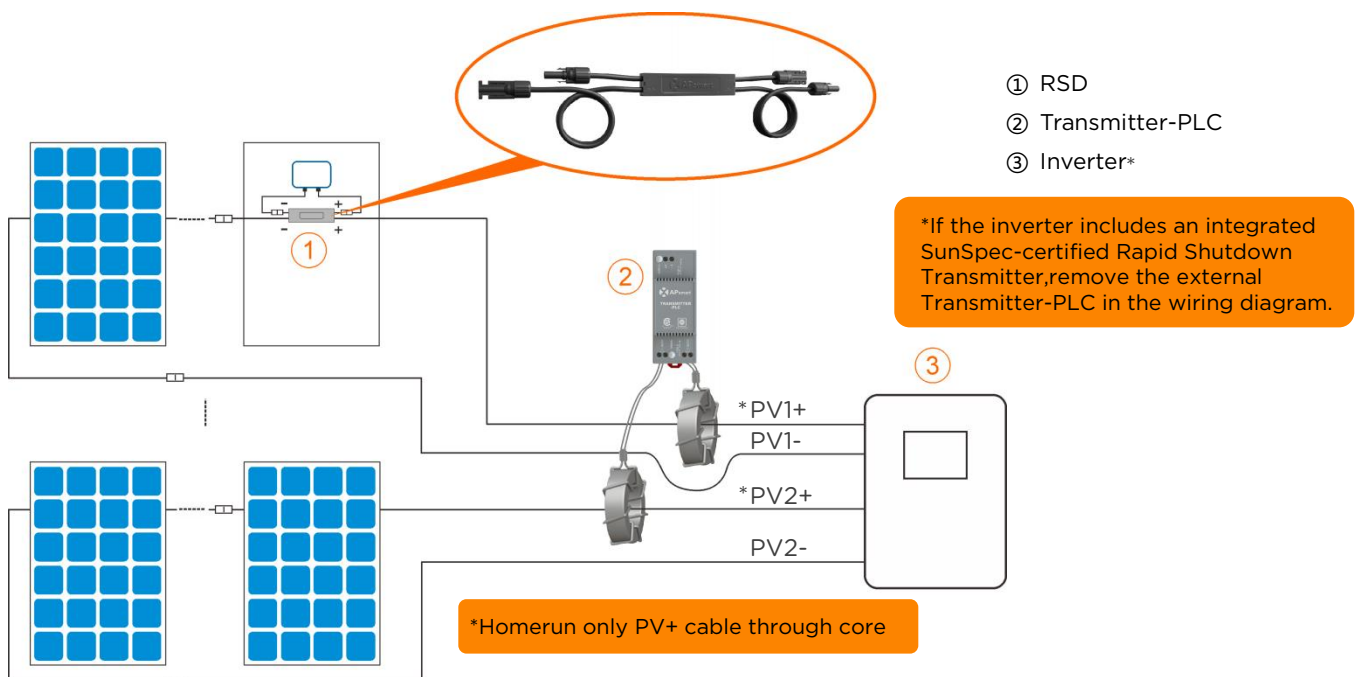
## TRANSMITTER-PLC

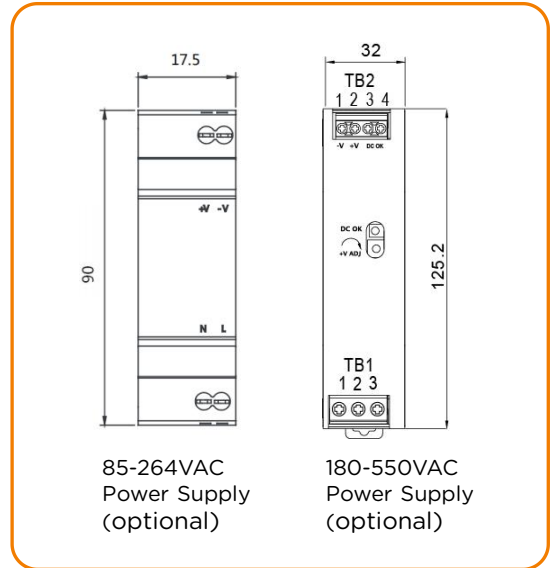
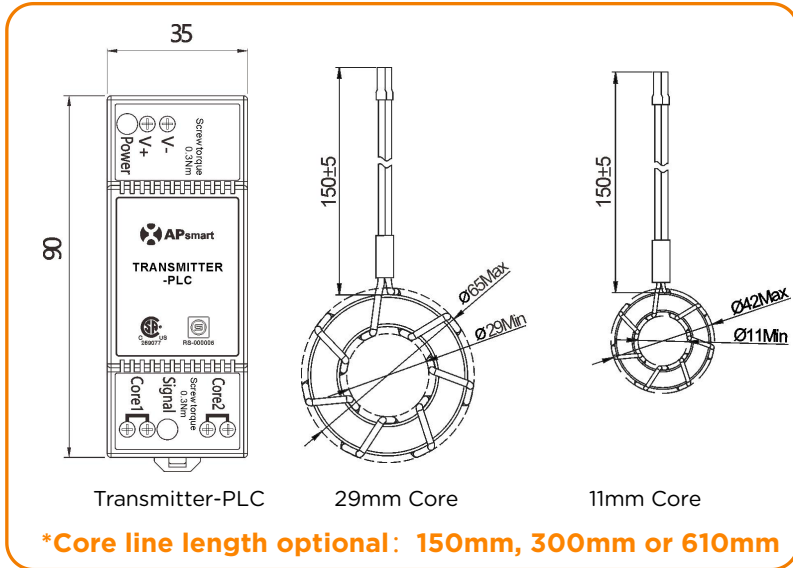
- Meets NEC 2017, 2020&2023 (690.12) requirements
- Switching off Transmitter-PLC results in rapid shutdown of the output of PV modules
- Meets SunSpec requirements
- Equipped with single/dual core
- Optional 85-264VAC power supply
- Optional 180-550VAC power supply

The APsmart Rapid Shutdown System Transmitter-PLC is part of a rapid shutdown solution when paired with APsmart RSD, a PV module rapid shutdown unit. While powered on, the Transmitter-PLC sends a signal to the RSD units to keep their PV modules connected and supplying energy.

RSD units automatically enter rapid shutdown mode when the Transmitter-PLC is switched off and resume energy production when power is restored to the Transmitter-PLC. This solution complies with NEC 690.12 specifications for 2017, 2020&2023 and supports the SunSpec signaling for rapid shutdown.

The Transmitter-PLC includes one or two cores and an optional power supply: 85-264VAC for residential, 180-550VAC for commercial.





**\*Core line length optional: 150mm, 300mm or 610mm**

### Main electrical data

|               |       |
|---------------|-------|
| Input Voltage | 12VDC |
| Input Current | 0.8A  |
| Communication | PLC   |

### Power Supply

|                        |   |
|------------------------|---|
| Residential (optional) | 85-264VAC Input, 12VDC Output, 90 mm x 17.5 mm x 58.4 mm  |
| Commercial (optional)  | 180-550VAC Input, 12VDC Output, 125.2 mm x 32 mm x 102 mm |

### Core data

#### 29mm Core

#### 11mm Core

|   |               |              |
|---|---------------|--------------|
| Max. Current                                  | 320A (160A*2) | 150A (75A*2) |
| Max. System Voltage                           | 1500VDC       |              |
| Internal Opening for Wires/Outside Dimensions | -29mm/65mm    | -11mm/42mm   |
| Max. Supported PV Modules per String          | 30 modules    |              |

### Number Of Strings Per Core

|                                      |         |          |       |         |
|--------------------------------------|---------|----------|-------|---------|
| DC Cable Diameter(without connector) | Φ 5.9mm | Φ 6.35mm | Φ 7mm | Φ 8.6mm |
| 29mm Core                            | ≤15     | ≤15      | ≤14   | ≤10     |
| 11mm Core                            | ≤6      | ≤5       | ≤4    | ≤2      |

### Environmental

|             |                |
|-------------|----------------|
| Temperature | -40°C ~ +100°C |
|-------------|----------------|

### Structure data

|                                |                       |
|--------------------------------|-----------------------|
| Dimensions (W x H x D)         | 90 mm x 35 mm x 40 mm |
| Enclosure Environmental Rating | IP30                  |

### Features & Compliance

|                   |  |
|-------------------|--|
| Safety Compliance | NEC 2017, 2020&2023 (690.12); UL1741; CSA C22.2 No. 330-17 |
| EMC Compliance    | FCC Part15; ICES-003                                       |



### ORDERING INFORMATION

|        |  |
|--------|--|
| 406000 | 29mm Dual Core Transmitter-PLC (no power supply), core line length 150mm   |
| 406001 | 29mm Single Core Transmitter-PLC (no power supply), core line length 150mm |
| 406006 | 29mm Dual Core Transmitter-PLC (no power supply), core line length 610mm   |
| 406007 | 29mm Dual Core Transmitter-PLC (no power supply), core line length 300mm   |



8627 N Mopac Expy, Suite 150, Austin, TX 78759 | +1-737-218-8486 |  
+1-866-374-8538 | support@APsmartGlobal.com | APsmartGlobal.com