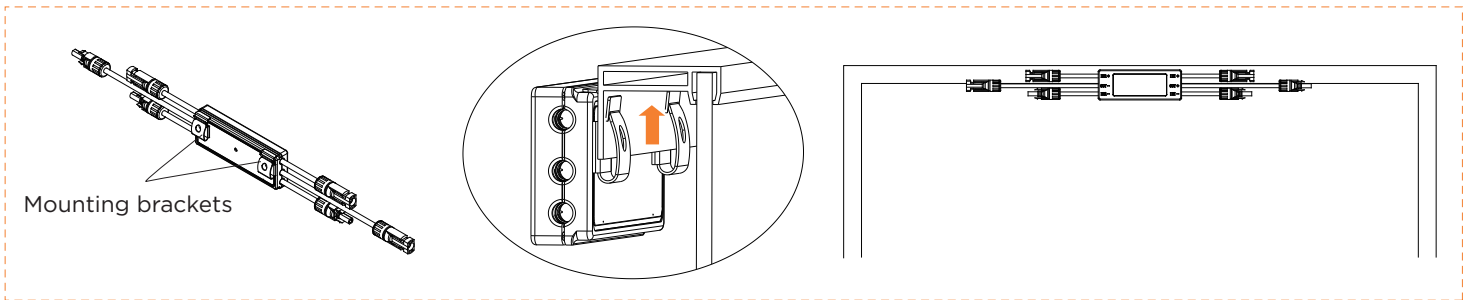


RSD-D Quick Installation Guide

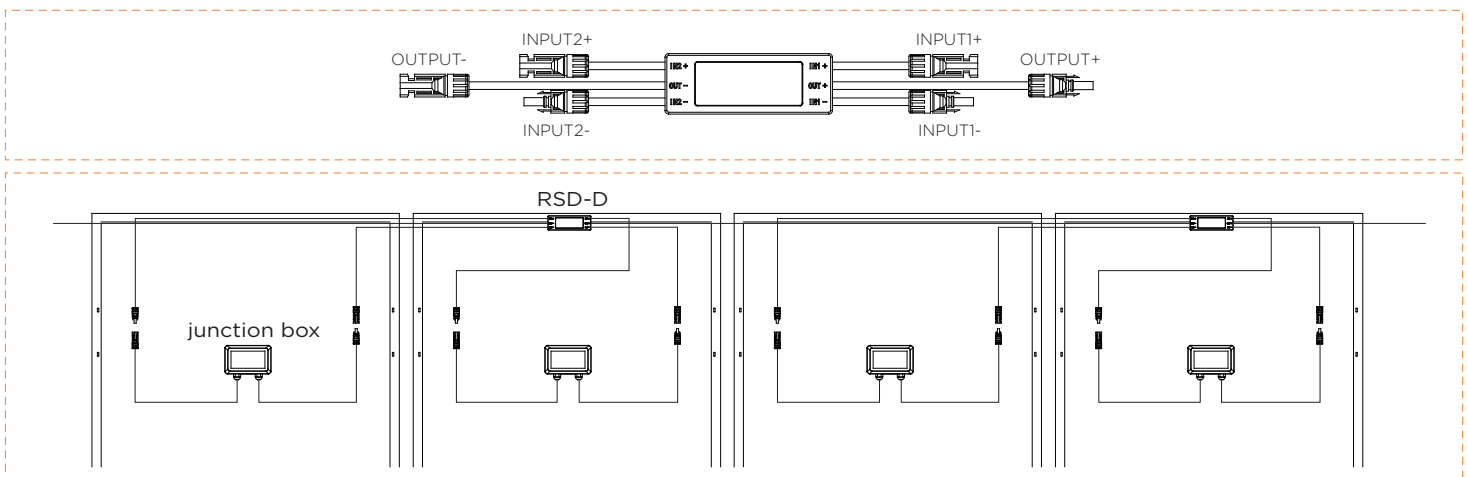


Step 1 Buckle RSD-D onto the PV module frame.



NOTE: Do not place the RSD-D (including DC connectors) where exposed to the sun, rain or snow, even gap between modules. Any surface of the RSD other than the mounting bracket must be at least 15mm away from surrounding objects. In particular, it is forbidden to have DC cables run close to or cover the RSD-S-PLC casing.

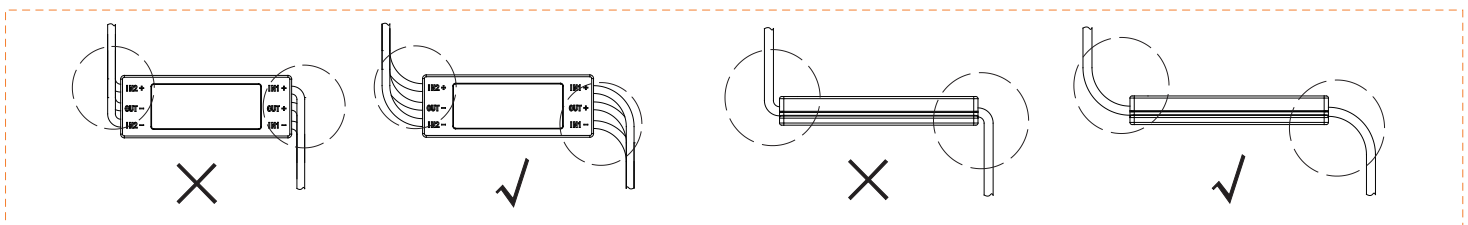
Step 2 Always connect the INPUT1 connectors of the RSD-D to the first PV module junction box and connect the INPUT2 connectors to second PV module, the device DC output voltage is within the range of 1.2 ~ 2v.



- ① RSD-D can be installed together with RSD-S-PLC;
- ② RSD-D can be installed with odd panel, by only connecting with "Input #1", then shorting "Input#2" +/- together;

NOTE: Do not short-circuit the RSD-D output connectors, otherwise it will be damaged.

NOTE: When installing RSD-D cable, the bending radius of the cable near the casing must be greater than 50 mm.



Step 3 Connect the output connectors of RSD-D in series to the string, the string open-air DC voltage is within the range of (1.2 ~ 2v) X #RSD-Ds. (This range may vary due to different on-site environment)

NOTE: Do not connect homerun to inverter before finishing all strings connections and tests.

WARNING: When connecting the RSD-D to only one PV module, use INPUT1 port ONLY, then short both terminals of INPUT2 directly, otherwise the RSD-D may be damaged. The DC output voltage remain same.

NOTE: Please use the same type of DC connector as the RSD in the system. The RSD damage caused by using different type of DC connector will not be covered by the warranty.



Please scan the code to obtain the installation video

APsmart YouTube



Please scan the QR code to access the APsmart website

APSMART



4302315341

2024/06/13 Rev3.0 | Quick Installation Guide