



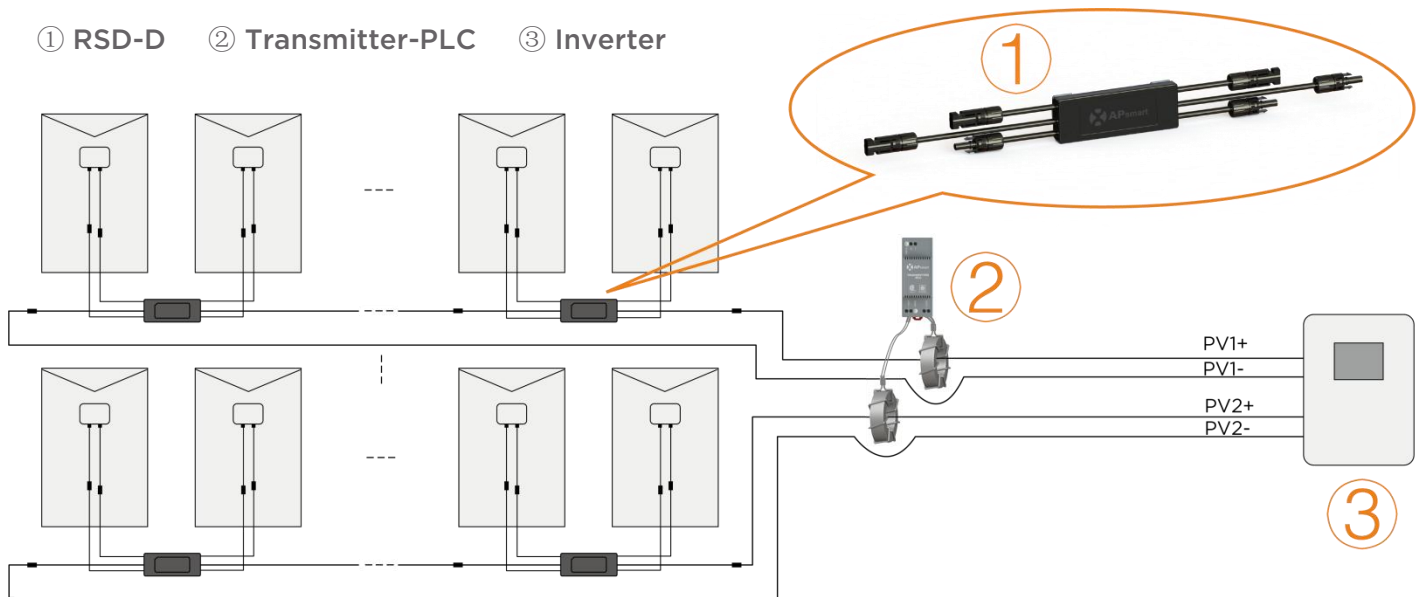
RSD-D

RAPID SHUTDOWN DEVICE

- ✓ Meets NEC 2017, 2020&2023 (690.12) requirements
- ✓ Executes rapid shutdown of system when Transmitter signal is absent
- ✓ Meets SunSpec requirements
- ✓ Dual-input channel

WIRING DIAGRAM

① RSD-D ② Transmitter-PLC ③ Inverter



*Homerun only PV+ cable through core.

*If the inverter includes an integrated SunSpec-certified Rapid Shutdown Transmitter, remove the external transmitter-PLC in the wiring diagram.

RSD-D meets SunSpec requirements, maintaining normal function by continually receiving a heartbeat signal from the APsmart Transmitter. The RSD-D executes rapid system shutdown when the Transmitter signal is absent. Users can manually execute rapid shutdown using Transmitter breaker switch.*⁽¹⁾⁽²⁾

*⁽¹⁾ RSD-D does not have automatic shutdown function for arc detection. When the system is abnormal, the transmitter signal is cut off by pulling the gate, which triggers shutdown.

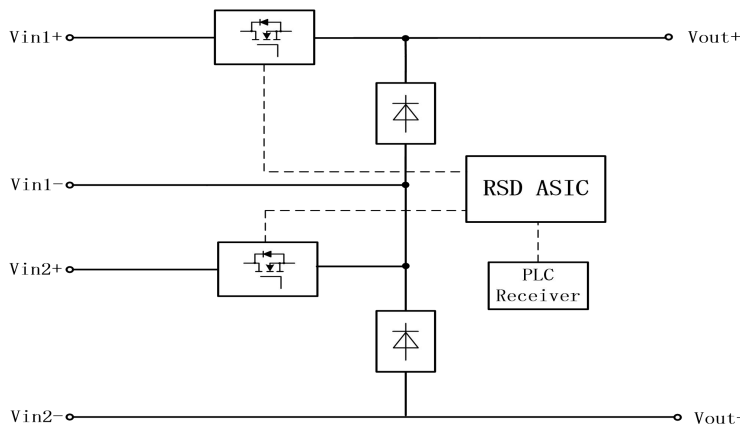
*⁽²⁾ RSD-D is designed to reduce the risk of fire suppression but does not solve the risk of a arc fire.

TECHNICAL DATA

MODEL	RSD-D-20
INPUT DATA (DC)	
Range of Input Operating Voltage	8-65V Per Channel
Maximum Cont. Input Current (Imax)	20A Per Channel
Maximum Short Circuit Current (Isc)	25A
OUTPUT DATA (DC)	
Range of Output Operating Voltage	16-130V
Maximum Cont. Output Current	20A
Maximum System Voltage	1000V/1500V
Maximum Series Fuse Rating	30A
MECHANICAL DATA	
Operating Ambient Temperature Range	-40 oF to +167 oF (-40 °C to + 75 °C)
Dimensions (without cable & connectors)	5.5" x 2" x 0.8"(140 mm x 50.6 mm x 20 mm)
Cable Length	Input 500mm/Output 2400mm
Cable Cross Section Size	TUV:4mm ² /UL:12AWG
Connector	Input: Stäubli MC4 PV-KBT4&KST4 or Customize Output: APsystems specified or Customized
Enclosure Rating	NEMA Type 6P/IP68
Protection Temperature	100°C
FEATURES & COMPLIANCE	
Communication Compliance	PLC
Safety Compliance	NEC 2017, 2020&2023 (690.12); UL1741; CSA C22.2 No. 330-17; IEC/EN62109-1
EMC Compliance	FCC Part15; ICES-003

© All Rights Reserved

WORKING SCHEMATIC DIAGRAM



ORDERING INFORMATION

446101	1500V UL/1000V TUV, 20A, 2.4m cable, Stäubli MC4 PV-KBT4&KST4
4461xx*	20A, 2.4m cable, Customize connector

*please see the RSD Series Ordering Information

APsmart

8627 N Mopac Expy, Suite 150, Austin, TX 78759 | +1-737-218-8486 | +1-866-374-8538 | support@APsmartGlobal.com | APsmartGlobal.com

REV2.4 2025-01-23