

Raising the bar in innovative
DC MLPE solar power systems

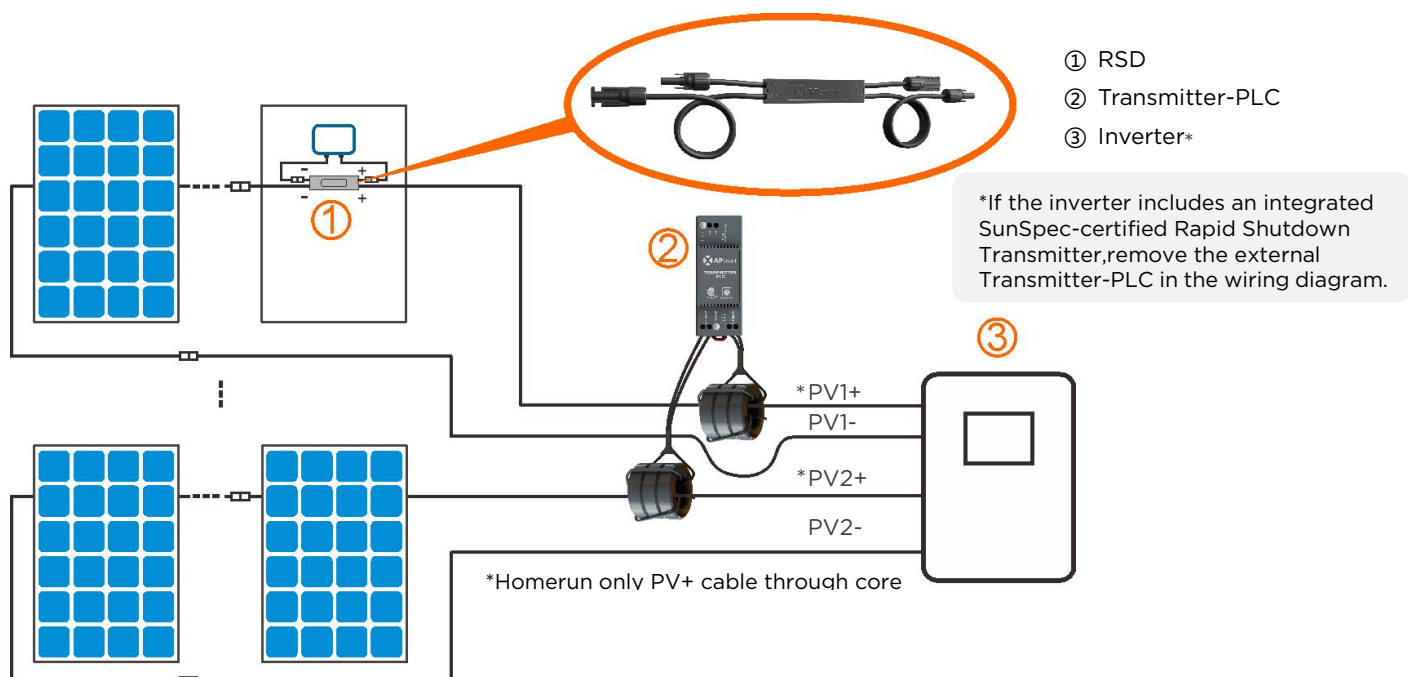
TRANSMITTER-PLC

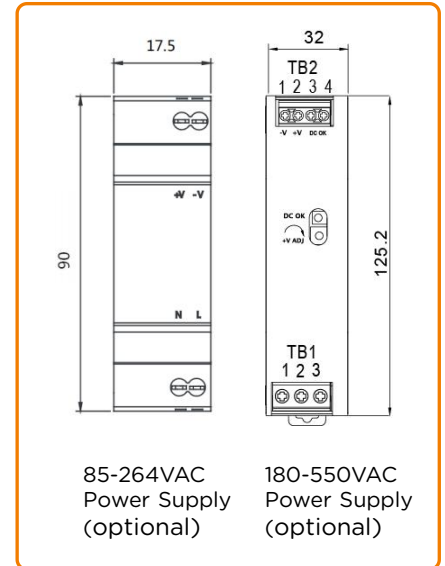
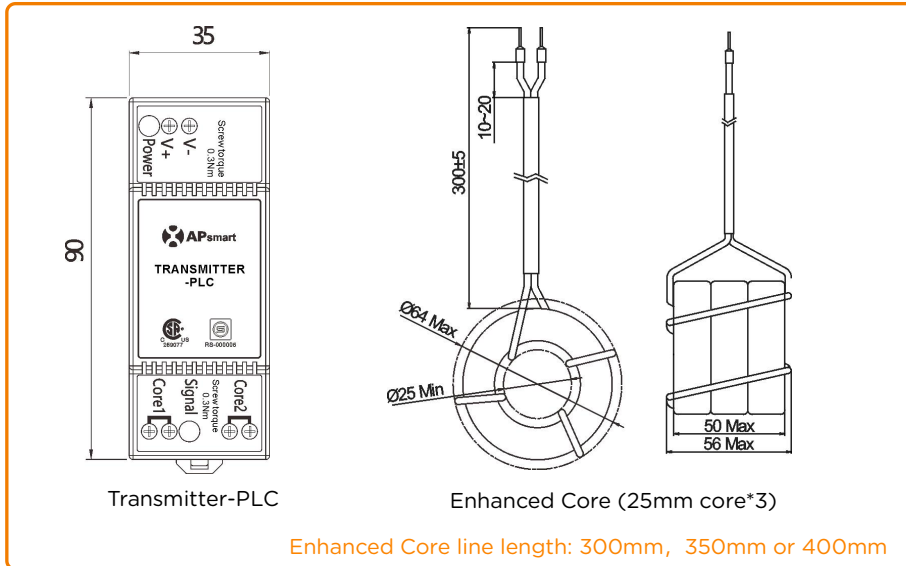
- Meets NEC 2017, 2020&2023 (690.12) requirements
- Switching off Transmitter-PLC results in rapid shutdown of the output of PV modules
- Meets SunSpec requirements
- Equipped with single/dual core
- Optional 85-264VAC power supply
- Optional 180-550VAC power supply

The APsmart Rapid Shutdown System Transmitter-PLC is part of a rapid shutdown solution when paired with APsmart RSD, a PV module rapid shutdown unit. While powered on, the Transmitter-PLC sends a signal to the RSD units to keep their PV modules connected and supplying energy.

RSD units automatically enter rapid shutdown mode when the Transmitter-PLC is switched off and resume energy production when power is restored to the Transmitter-PLC. This solution complies with NEC 690.12 specifications for 2017, 2020&2023 and supports the SunSpec signaling for rapid shutdown.

The Transmitter-PLC includes one or two cores and an optional power supply: 85-264VAC for residential, 180-550VAC for commercial.





Main electrical data

Input Voltage	12VDC
Input Current	0.8A
Communication	PLC

Power Supply

Residential (optional)	85-264VAC Input, 12VDC Output, 90 mm x 17.5 mm x 58.4 mm
Commercial (optional)	180-550VAC Input, 12VDC Output, 125.2 mm x 32 mm x 102 mm

Core Data

Max. Current	400A (200A*2)
Max. System Voltage	1500VDC
Internal Opening for Wires/Outside Dimensions	-25mm/64mm
Max. Supported PV Modules per String	30 modules

Number of Strings Per Core

DC Cable Diameter(without connector)	Φ 5.9mm	Φ 6.35mm	Φ 7mm	Φ 8.6mm
Enhanced Core(25mm)	≤12	≤12	≤12	≤10

Environmental

Temperature	-40°C ~ +100°C
-------------	----------------

Structure Data

Dimensions (W x H x D)	90 mm x 35 mm x 40 mm
Enclosure Environmental Rating	IP30

Features & Compliance

Safety Compliance	NEC 2017, 2020&2023 (690.12); UL1741; CSA C22.2 No. 330-17
EMC Compliance	FCC Part15; ICES-003



ORDERING INFORMATION

406010	25mm Enhanced Single Core Transmitter-PLC (no power supply), core line length 300mm
406011	25mm Enhanced Dual Core Transmitter-PLC (no power supply), core line length 300mm
406012	25mm Enhanced Dual Core Transmitter-PLC (no power supply), core line length 400mm
406013	25mm Enhanced Dual Core Transmitter-PLC (no power supply), core line length 350mm

APsmart

8627 N Mopac Expy, Suite 150, Austin, TX 78759 | +1-737-218-8486 |
+1-866-374-8538 | support@APsmartGlobal.com | APsmartGlobal.com