

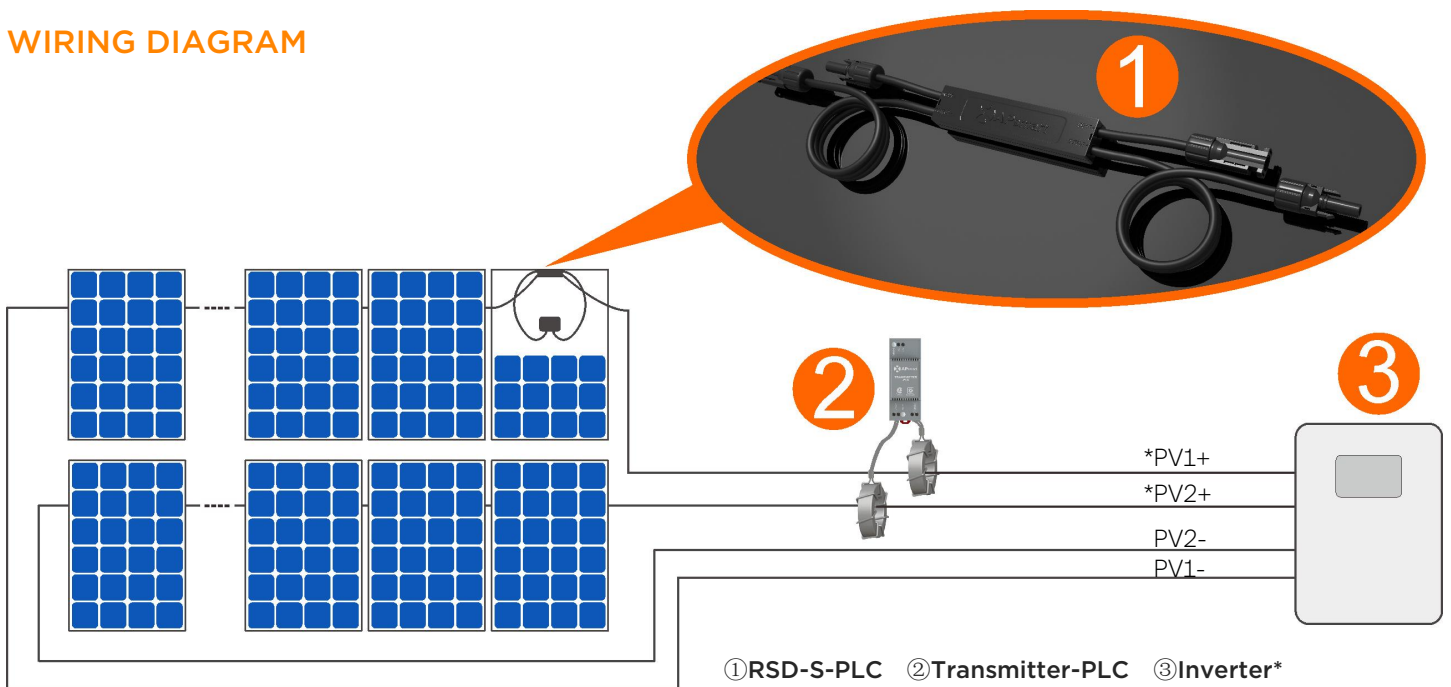


RSD-S-PLC

RAPID SHUTDOWN DEVICE

- ✓ Meets NEC 2017, 2020&2023 (690.12) requirements
- ✓ Executes rapid shutdown of system when Transmitter-PLC signal is absent
- ✓ Meets SunSpec requirements

WIRING DIAGRAM



*Homerun only PV+ cable through core.

*If the inverter includes an integrated SunSpec-certified Rapid Shutdown Transmitter, remove the external transmitter-PLC in the wiring diagram.

The RSD-S-PLC meets SunSpec requirements, maintaining normal function by continually receiving a heartbeat signal from the APsmart Transmitter. The RSD executes rapid system shutdown when the Transmitter signal is absent. Users can manually execute rapid shutdown using Transmitter breaker switch.*⁽¹⁾⁽²⁾

*⁽¹⁾ RSD-S-PLC does not have automatic shutdown function for arc detection. When the system is abnormal, the transmitter signal is cut off by pulling the gate, which triggers shutdown.

*⁽²⁾ RSD-S-PLC is designed to reduce the risk of fire suppression but does not solve the risk of an arc fire.

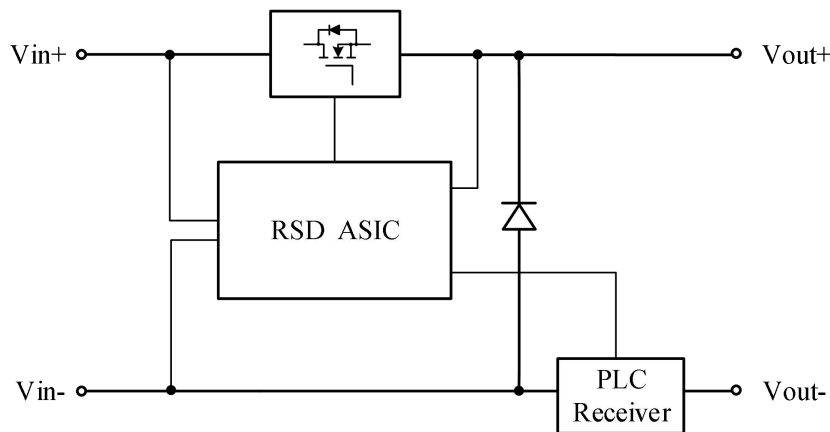
TECHNICAL DATA

MODEL	RSD-S-PLC
INPUT DATA (DC)	
Input Operating Voltage Range	8-80V
Maximum Cont. Input Current (Imax)	15A
Maximum Short Circuit Current (Isc)	25A
OUTPUT DATA (DC)	
Output Operating Voltage Range	8-80V
Maximum System Voltage	1000V/1500V
Maximum Series Fuse Rating	30A
MECHANICAL DATA	
Operating Ambient Temperature Range	-40°F to +185°F (-40 °C to + 85 °C)
Dimensions (without cable & connectors)	5.5" x 1.3" x 0.7"(140 mm x 32 mm x 18 mm)
Cable Length	Input 250mm/Output 1200mm
Cable Cross Section Size	UL:12AWG
Connector	Input: Stäubli MC4 PV-KBT4&KST4 or Customized Output: APsystems specified or Customized
Enclosure Rating	NEMA Type 6P/IP68
Protection Temperature	100°C
FEATURES & COMPLIANCE	
Communication	PLC
Safety Compliance	NEC 2017, 2020&2023 (690.12); UL1741; CSA C22.2 No. 330-17; IEC/EN62109-1; 2PFG2305
EMC Compliance	FCC Part15; ICES-003;IEC/EN61000-6-1/-2/-3/-4



© All Rights Reserved

WORKING SCHEMATIC DIAGRAM



ORDERING INFORMATION

415002	1500V UL, 1.2m cable, Stäubli MC4 PV-KBT4&KST4
4150XX*	1500V UL, 15A, 1.2m cable, Customized connector

*please see the RSD Series Ordering Information

APsmart

8627 N Mopac Expy, Suite 150, Austin, TX 78759 | +1-737-218-8486 |
+1-866-374-8538 | support@APsmartGlobal.com | APsmartGlobal.com

REV3.1 2025-02-12